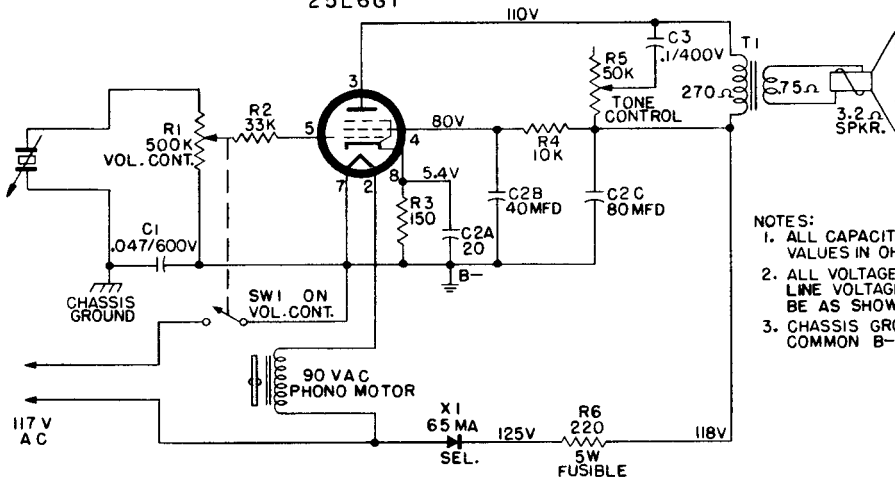


WESTINGHOUSE

Models H-51MP1, H-51MP2,
H-51MP3, Chassis V-2508-1

25L6GT



CHASSIS REMOVAL

1. Remove 4 phillips screws holding the motorboard. Lift the motorboard.
2. Disconnect the speaker leads.
3. Remove the chassis cover (2 screws) and unsolder the 2 leads from the pickup cartridge and 2 leads from the phono motor.
4. Remove the 2 speed nuts holding the chassis to the motorboard.

NOTES:

1. ALL CAPACITANCE VALUES IN MFD AND ALL RESISTANCE VALUES IN OHMS UNLESS OTHERWISE STATED.
2. ALL VOLTAGES MEASURED FROM B- USING A V.T.V.M. LINE VOLTAGE SET AT 117 V AC READINGS SHOULD BE AS SHOWN $\pm 20\%$.
3. CHASSIS GROUND --- COMMON B- ---